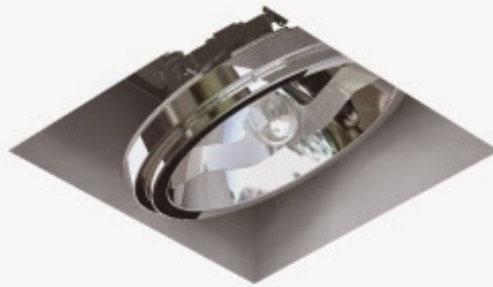


TECHNICAL DATA SHEET

QUADREO BASSO

S1111-L



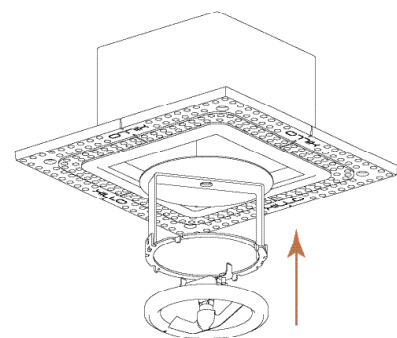
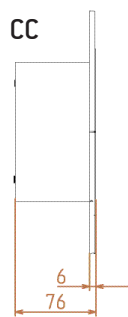
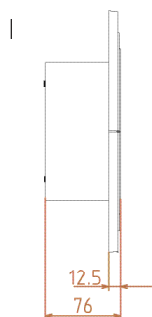
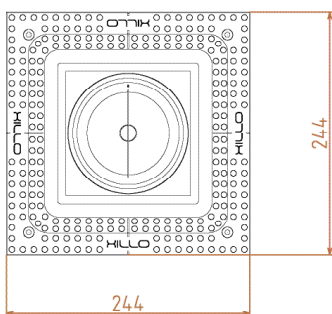
Technical specs

Lamp + fitting	one fitting, suitable for any LED QR111 G53
Control gear	order separately, provide enough space in ceiling
Orientation	30° tilt / 360° rotation
Material	patented composite, paintable
Finish	natural white
Opening	125 x 125 mm
Cut out	plasterboard (PB): 248 x 248 mm concrete (CC): Ø 201 mm
Total installation depth	plasterboard (PB): 67,5 mm concrete (CC): 74 mm

Order codes

S1111-L PB	housing for plasterboard ceiling
S1111-L CC	housing for concrete ceiling
111A3-LC	Adjustable lampholder for QR111 closed
111A3-LO	Adjustable lampholder for QR111 open
XIAR111	LED QR111 with phase dimmable driver
	-> Input 200 - 250V, 50/60Hz, 0,11A
	Output 12 - 24 VDC, 700mA
	Dimensions 134 x 44 x 29 mm

Dimensions



Light - XILAR111



CCT	2700
CRI	90
Output	780 lm
Beam angle	24°
Power supply	18 VDC
Wattage	15 W

60°C. Do not use incandescent, halogen, or any other high temperature emitting lightbulbs

Light - DMX



Colors	4
Output	950 lm
Beam angle	60°
Power supply	24 VDC
Wattage	19 W

