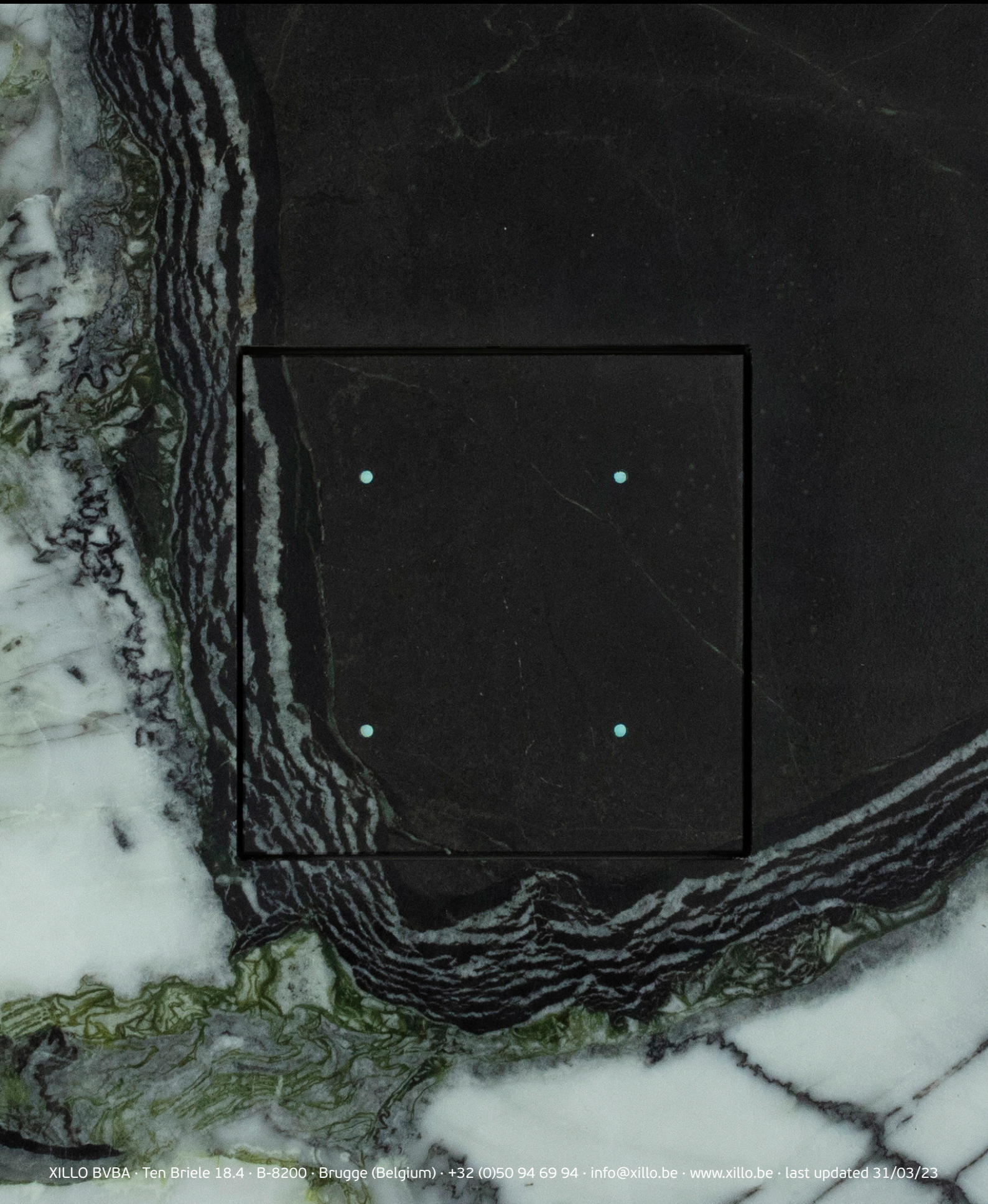


XILLO

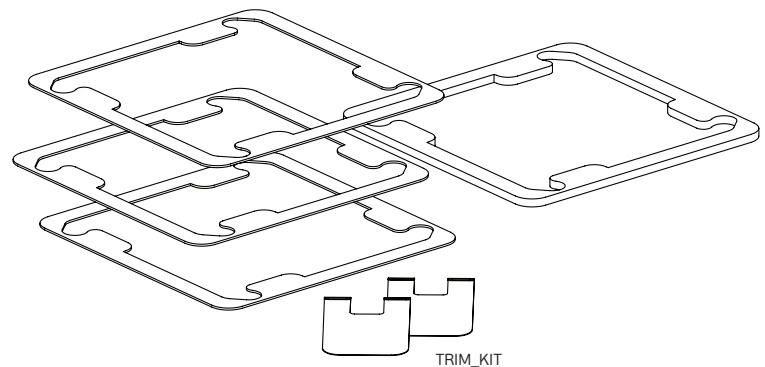
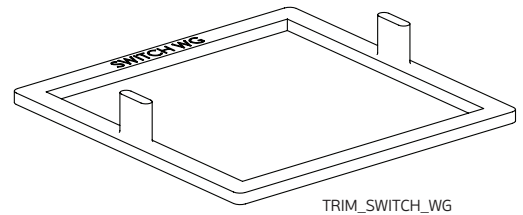
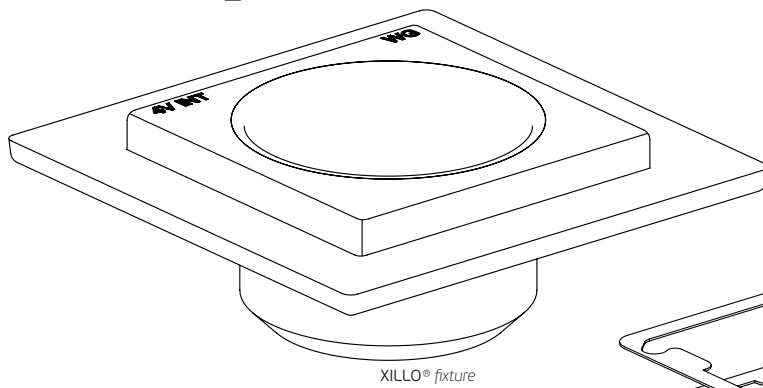
INNOVATIVE RECESSED SOLUTIONS

INTEGRATED
SWITCH WITH GAP

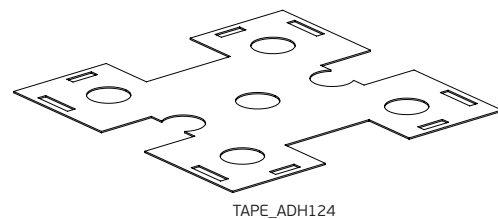
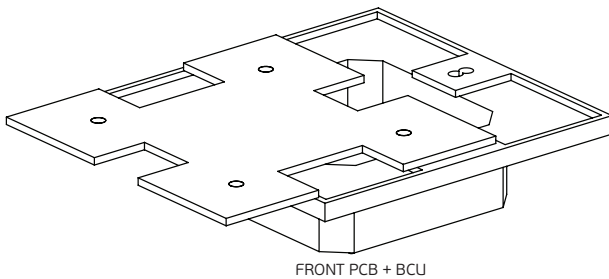


Order codes

- TRIM_INTINT124_WG
 - XILLO® fixture
 - TRIM_SWITCHIT_WG
 - TRIM_KIT
 - 1x TRIM_SPACER2
 - 3x TRIM_SPACER05
 - 2x TRIM_KEY



- INTINT4 (or 1 / 2)
 - BCU
 - front PCB 4F (or 1F / 2F)
 - TAPE_ADH124



- ADHESIVES

XILLO® fixture + ELECTRONICS

- INTINT_GLUEKIT

- worktime: 5min
- drying time: 15min
- number of uses: 5



- INTINT_GLUPISTOL

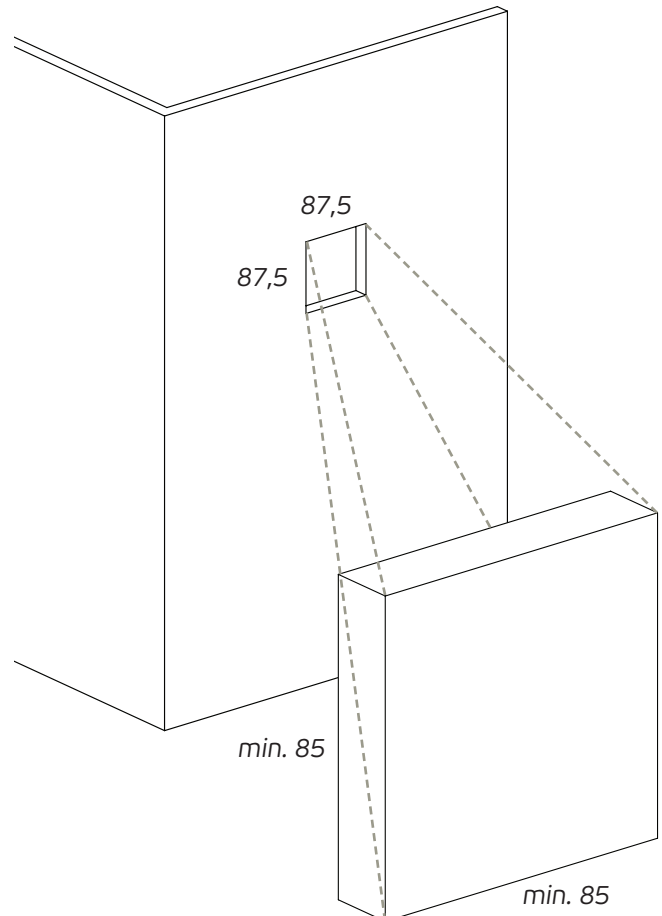
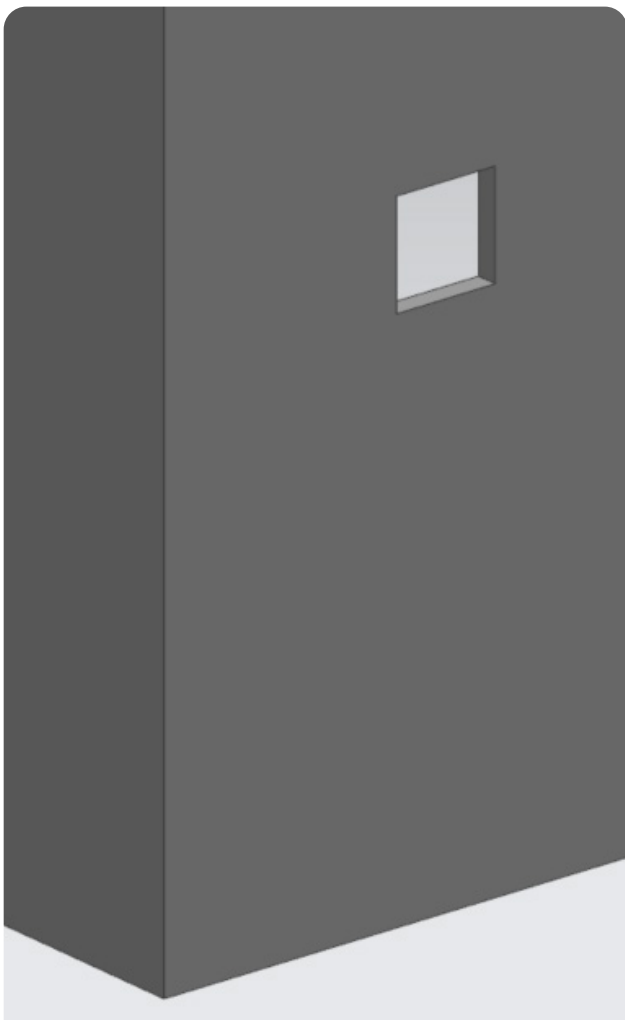


INSTALLATION

STEP 1: CUTOUT

Make a square hole in the wall/panel (18 - 22 mm thickness) of 87,5mm x 87,5mm on the desired location (for stone: normally done by waterjet). Beware when making the square hole to keep the cutout material aside. It will form the finishing plate for your switch and needs to be minimum 85mm x 85mm. Afterwards you need to machine the cutout (see step 2).

NOTE: Make sure you know what's the frontside and the top of the cutout in reference to the square hole.



Drill/Waterjet the center of the opening at the desired operating height from the floor
(recommended 25cm)

INSTALLATION

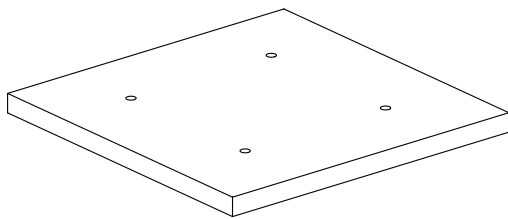
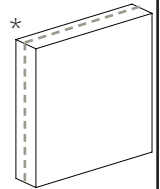
STEP 2: MACHINE CUTOUT

When you get the cutout of the wall/panel you need to machine it up to specific dimensions:

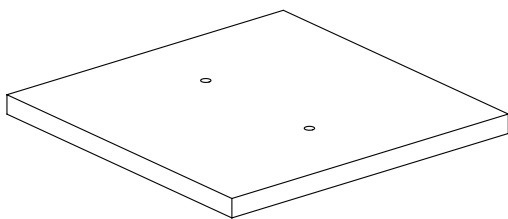
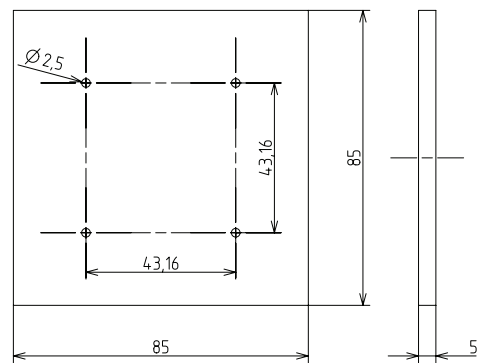
- 1) Mill (for stone: normally done by waterjet) different holes out of the material
- 2) Split* it in two equal parts (spare part in case of damage)
- 3) Flatten one part until precisely 5mm thickness

NOTE: if the material is thicker than 5mm, the touch of the electronics won't function properly

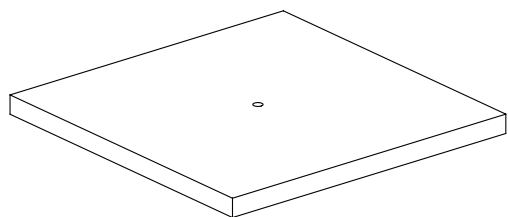
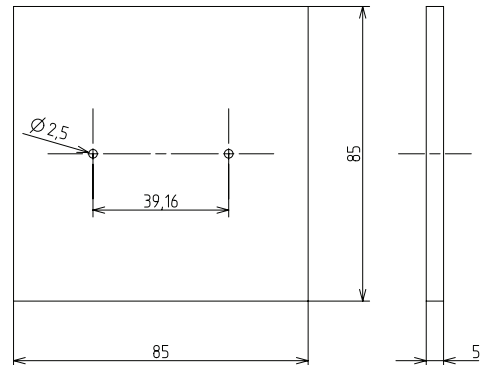
NOTE: the LED holes in stone can be filled with clear epoxy resin if so desired



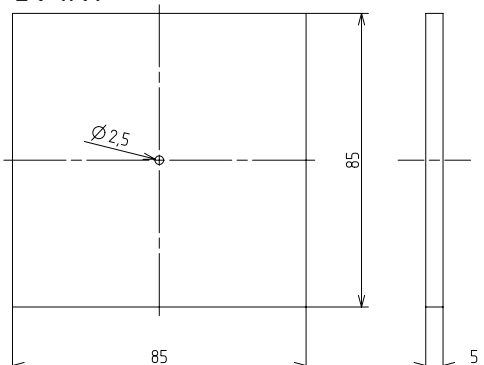
4V INT



2V INT



1V INT

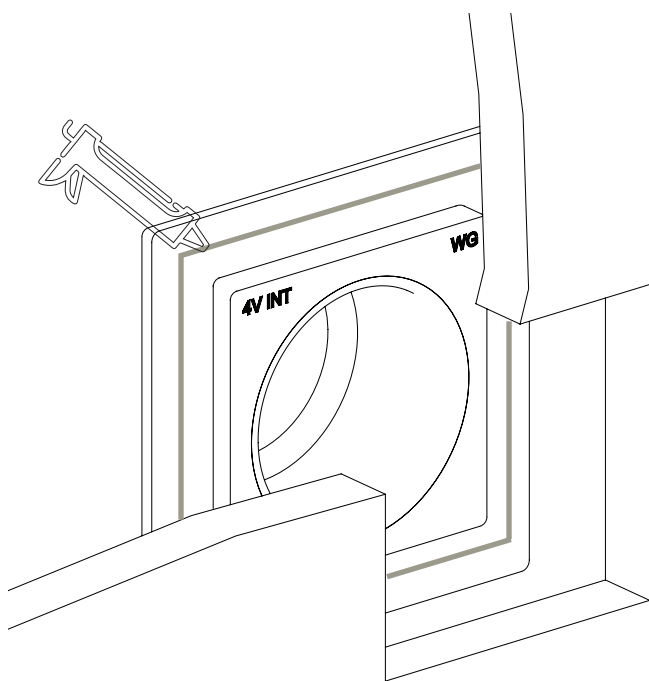


INSTALLATION

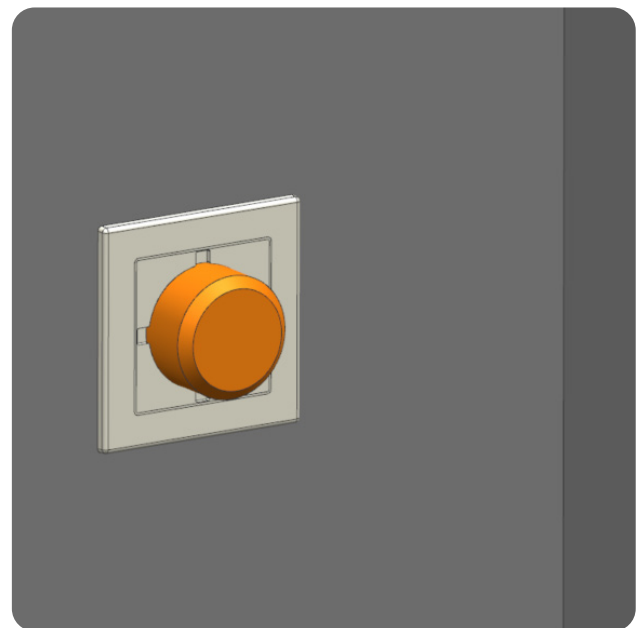
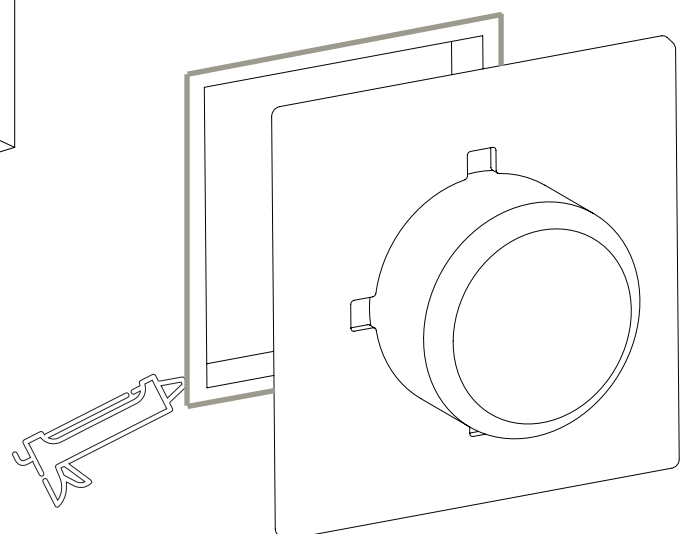
STEP 3: MOUNTING XILLO® FIXTURE TO WALL/PANEL

*Glue the fixture on the wall/panel from the backside using one of the suggested adhesives.
Beware to press/hold it according to instructions of the glue (make sure it's mounted level).*

NOTE: when glued on the wall/panel make sure that it is properly clamped during drying!



OR

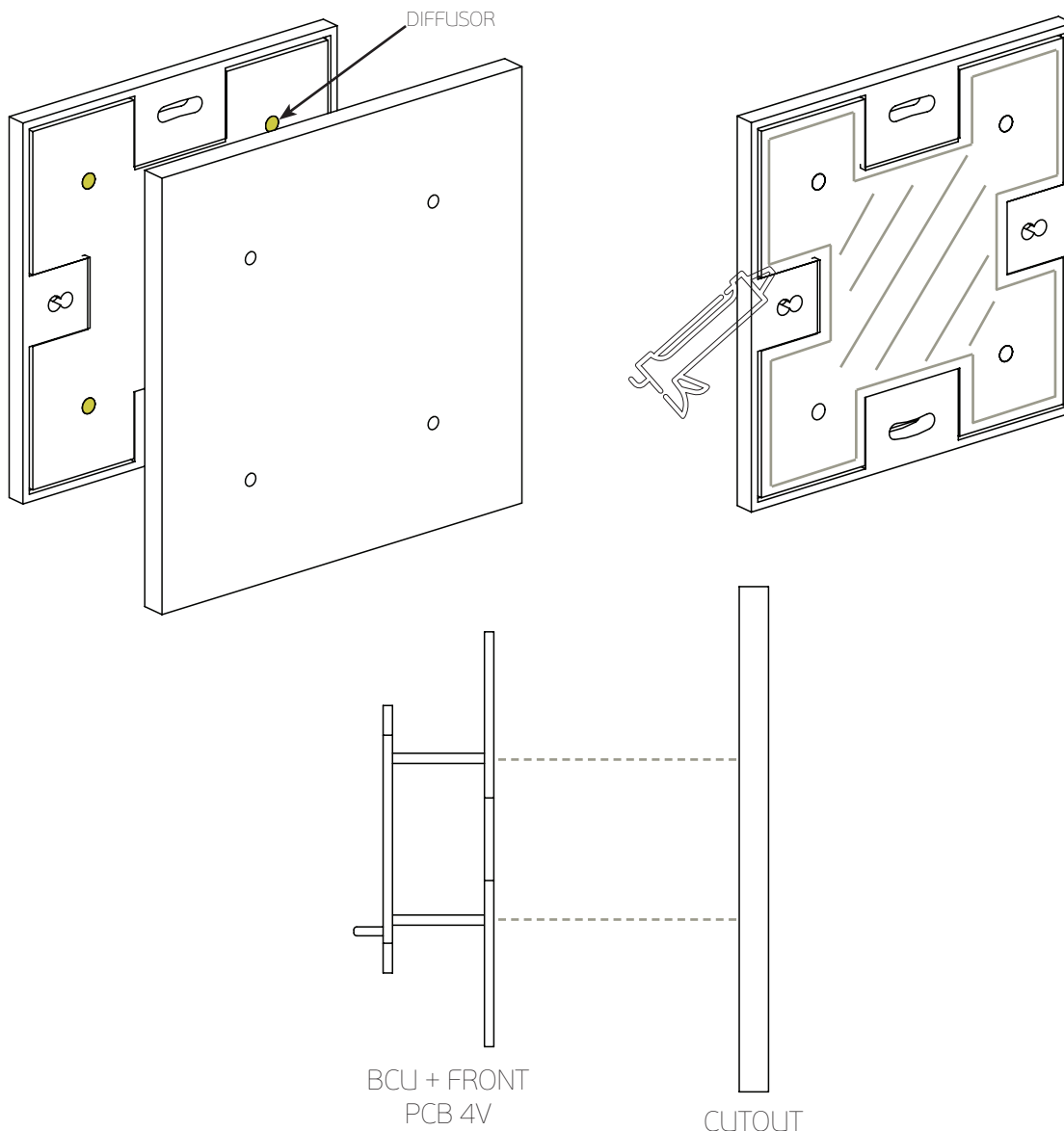


INSTALLATION

STEP 4: ASSEMBLE ALL PARTS - **STONE**

To glue the stone cutout to the front PCB you need to make sure that the measurements match and the parts are perfectly aligned. It's important all is positioned correctly when drying. Make sure you look at the frontside and top from step 1

1. Remove the yellow protective cap of the diffusers, so after removing you only see the white part
2. Connect power to the BCU and press the PCB on top, the LED's will now light up
3. Apply glue on top of the PCB (see below), just a small amount of glue is needed
4. Press the cutout stone front against the PCB, position the LED's perfectly (arrows pointing upwards)
5. Let it rest for 24h laying down on a flat surface securely fastened



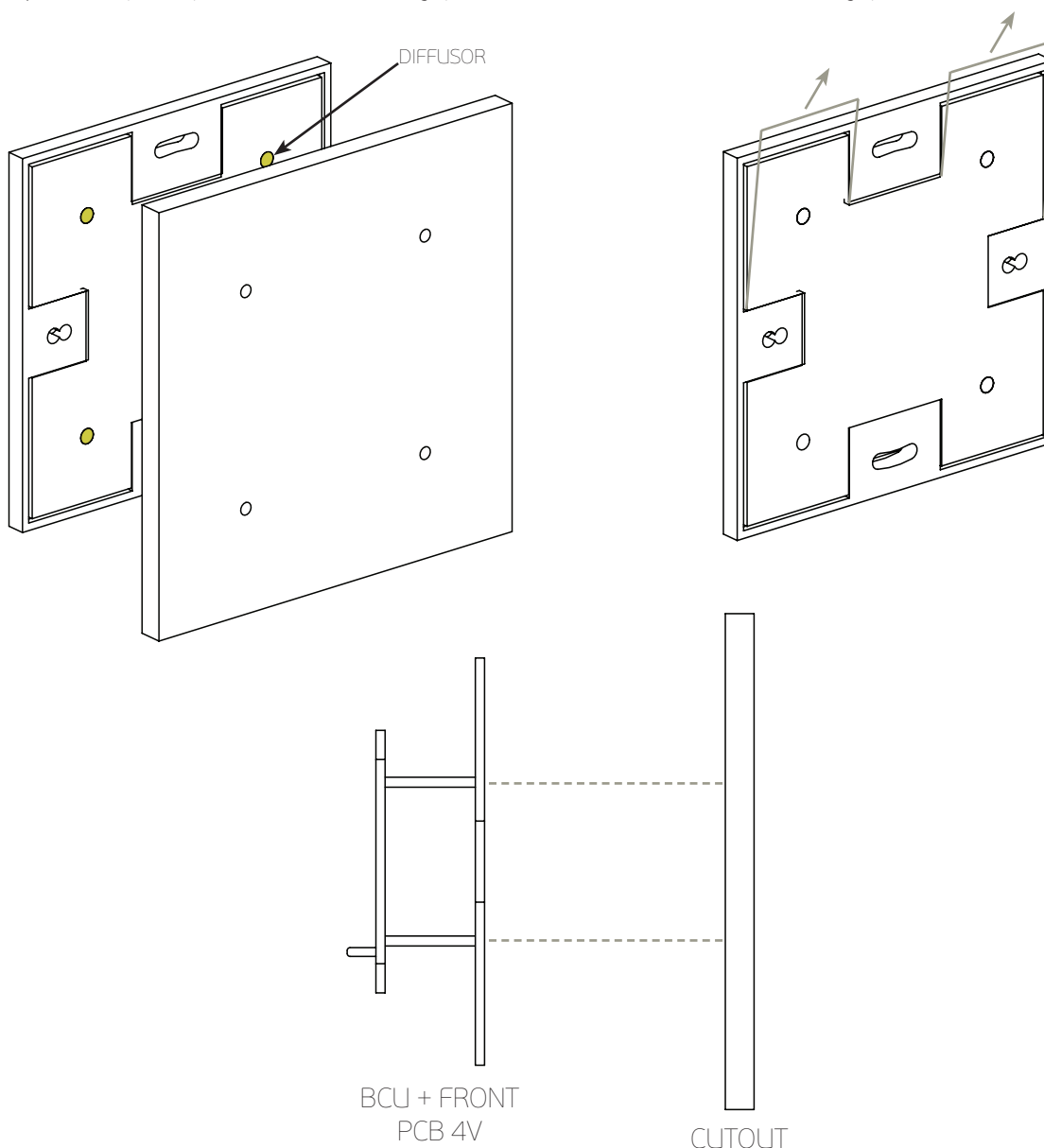
INSTALLATION

STEP 4: ASSEMBLE ALL PARTS - **OTHER MATERIALS** (ex. Wood, Corian ...)

To stick the stone cutout to the front PCB you need to make sure that the measurements match and the parts are perfectly aligned. It's important all is positioned correctly when drying.

Make sure you look at the frontside and top from step 1

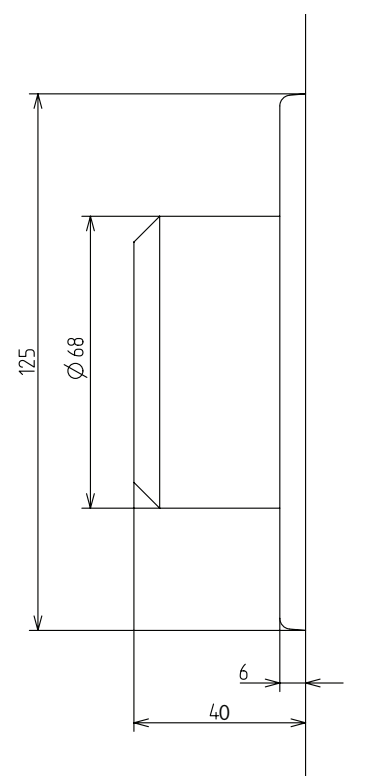
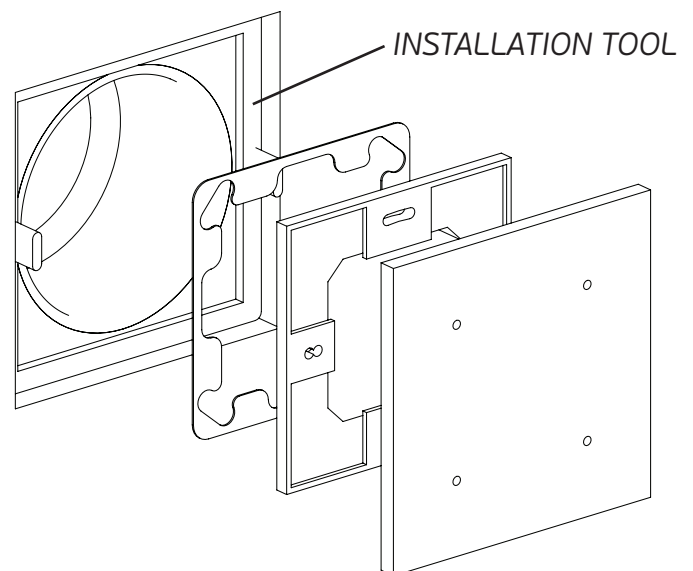
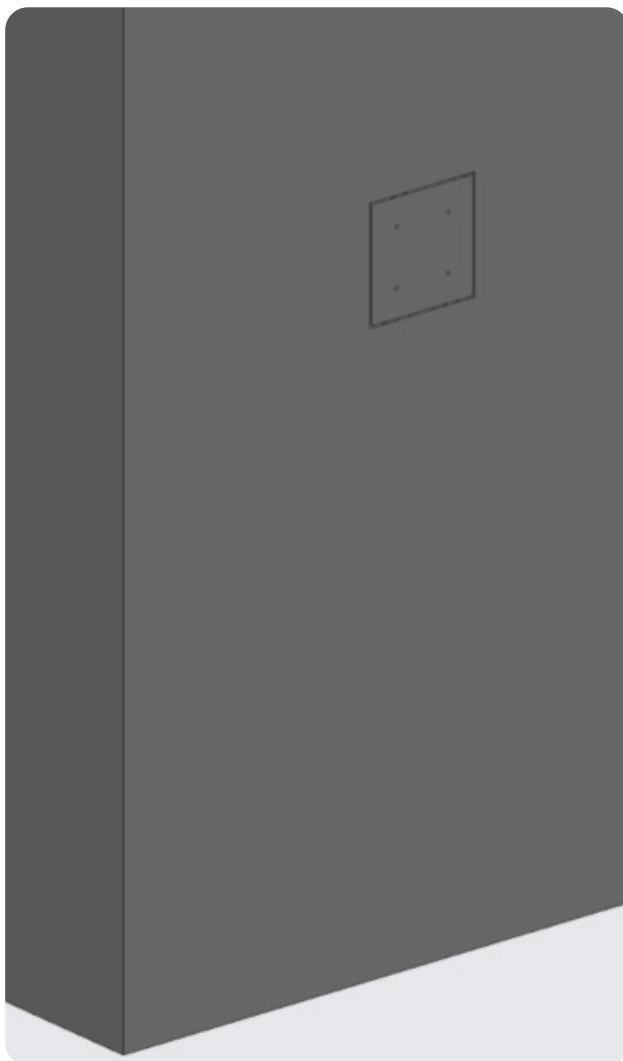
1. Remove the yellow protecting cap of the diffusers, so after removing you only see the white part
2. Connect power to the BCU and press the PCB on top, the LED's will now light up
3. Stick the cloverleaf sticker (TAPE_ADH124) on the PCB and peel off the protective foil
4. Press the cutout front against the PCB, position the LED's perfectly (arrows pointing upwards)
5. Hold pressure for a few seconds, let dry for 1h and make sure it's securely fastened



INSTALLATION

STEP 5: END ASSEMBLY

Connect power to BCU and install the electronics, with optional spacers on the XILLO® fixture and fasten with the two screws of the orange wallbox. Make sure the spacing between the electronics and the square hole are equally divided. You can do this by using the installation tool (TRIM_SWITCHIT_WG). Remove the installation tool afterwards



NOTE: when making use of one or more spacers, make sure to peel off the blue/transparant protection foil of the spacer