

TECHNICAL DATA SHEET

ANGLO

S1050



Technical specs

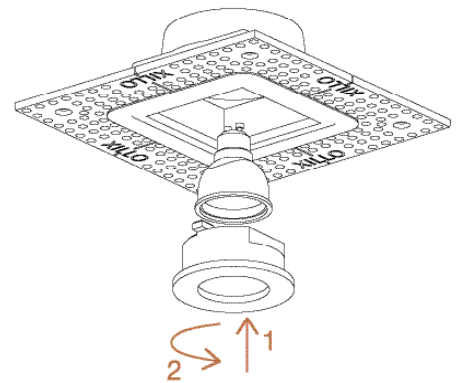
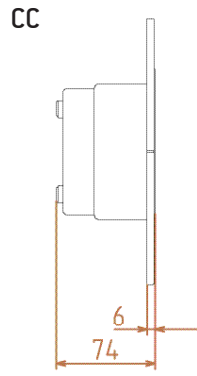
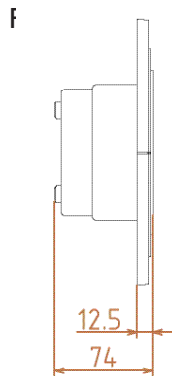
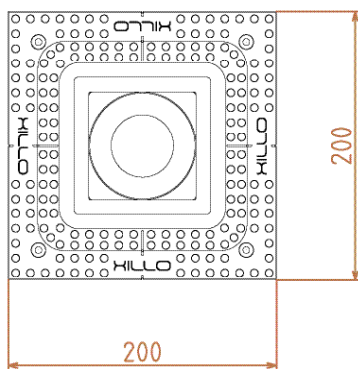
Lamp + fitting	XILLE50 / GU10 / suitable for any LED Ø50 mm
Control gear	order separately, provide enough space in ceiling
Material	patented composite, paintable
Finish	natural white
Opening	80 x 80 mm
Cut out	plasterboard (PB): 204 x 204 mm
	concrete (CC): Ø 141 mm
Total installation depth	plasterboard (PB): 65,5 mm
	concrete (CC): 72 mm

provide enough space in ceiling (led engine + light fixture)

Order codes

S1050 PB	housing for plasterboard ceiling
S1050 CC	housing for concrete ceiling
50F0	lampholder fix (suitable for Xille50)
50F1	lampholder fix with GU10 fitting (GU10 excl.)
50FM	lampholder fix with Led module (excl. driver)
50FD	lampholder fix with Sunset module (excl. driver)

Dimensions



Lamp & Driver - XILLE50

CCT	2700 or on request
CRI	85
Output	650 lm
Beam angle	48°
Power supply	230V / integrated dimmable driver
Wattage	10 W

