

## TECHNICAL DATA SHEET

### GRANDIO BASSO DUO

C2111-L



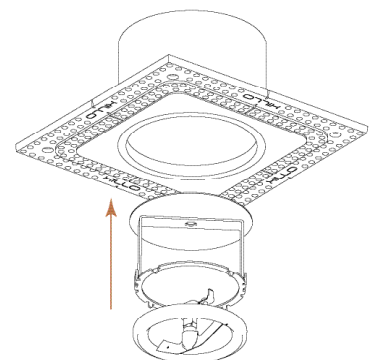
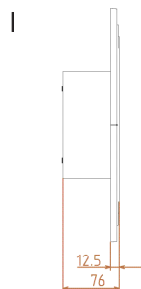
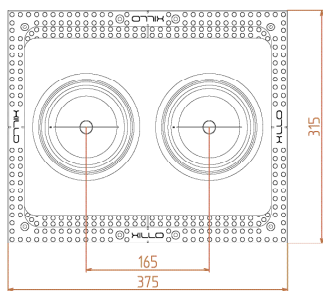
#### Technical specs

Lamp + fitting	double fitting, suitable for any LED QR111 G53
Control gear	order separately, <b>provide enough space in ceiling</b>
Orientation	30° tilt / 360° rotation
Material	patented composite, paintable
Finish	natural white
Opening	2x Ø 127,5 mm
Cut out	plasterboard (PB): 379 x 319 mm
Total installation depth	plasterboard (PB): 67,5 mm <b>REMOVE STICKERS FROM THE MAGNETS AFTER PAINTING</b>

#### Order codes

C2111-L-PB	housing for plasterboard ceiling
111A3-LC	Adjustable lampholder for QR111 closed
111A3-LO	Adjustable lampholder for QR111 open
XiLAR111	LED QR111 with phase dimmable driver
	-> Input 200 - 250V, 50/60Hz, 0,11A
	Output 12 - 24 VDC, 700mA
	Dimensions 134 x 44 x 29 mm

#### Dimensions



#### Light - XILAR111



CCT	2700
CRI	90
Output	780 lm
Beam angle	24°
Power supply	18 VDC
Wattage	15 W
60°C, Do not use incandescent, halogen, or any other high temperature emitting lightbulbs	

#### Light - DMX



Colors	4
Output	950 lm
Beam angle	60°
Power supply	24 VDC
Wattage	19 W

