

TECHNICAL DATA SHEET

GRANDIO

C1111



Technical specs

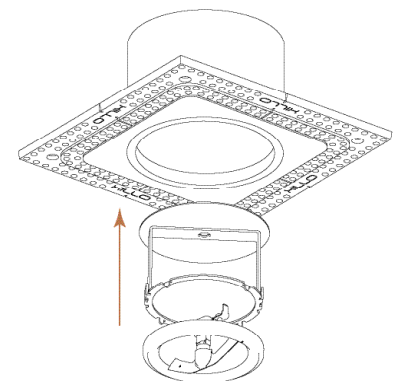
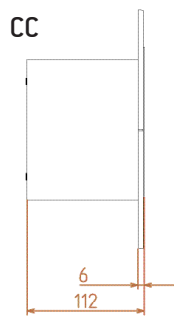
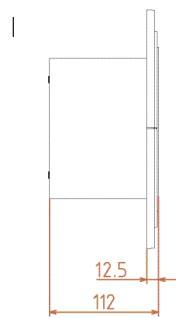
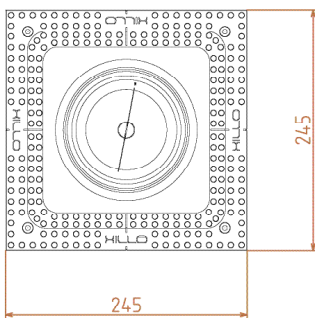
Lamp + fitting	one fitting, suitable for any LED QR111 G53
Control gear	order separately, provide enough space in ceiling
Orientation	30° tilt / 360° rotation
Material	patented composite, paintable
Finish	natural white
Opening	Ø 127,5 mm
Cut out	plasterboard (PB): 249 x 249 mm concrete (CC): Ø 151 mm
Total installation depth	plasterboard (PB): 103,5 mm concrete (CC): 110 mm REMOVE STICKERS FROM THE MAGNETS AFTER PAINTING

Order codes

C1111 PB	housing for plasterboard ceiling
C1111 CC	housing for concrete ceiling
111A3	Adjustable lampholder for QR111
XiLAR111	LED QR111 with phase dimmable driver

-> Input	200 - 250V, 50/60Hz, 0,11A
Output	12 - 24 VDC, 700mA
Dimensions	134 x 44 x 29 mm

Dimensions



Lamp - XILAR111



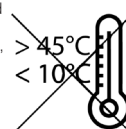
CCT	2700
CRI	90
Output	780 lm
Beam angle	24°
Power supply	18 VDC
Wattage	15 W
60°C, Do not use incandescent, halogen, or any other high temperature emitting lightbulbs	
If the lamp doesn't fit, bend the small tabs inward until it fits	

Lamp - DMX



Colors	4
Output	950 lm
Beam angle	60°
Power supply	24 VDC
Wattage	19 W

Warning: XILLO should be installed under normal t° conditions between **10°C and 45°C** and in constant heated areas which have a constant t°. Furthermore, it should be installed using **screws, fiberglass netting and plaster** (do not use silicone, glue,...). Make sure the studs/support wall is strong, firm and dry and that the XILLO is strongly screwed on the studs/support so it can not move.



IP20

